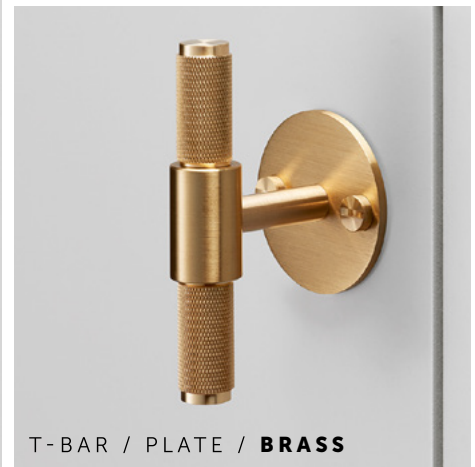


BUSTER + PUNCH

T-BAR

TECH SPEC



T-BAR

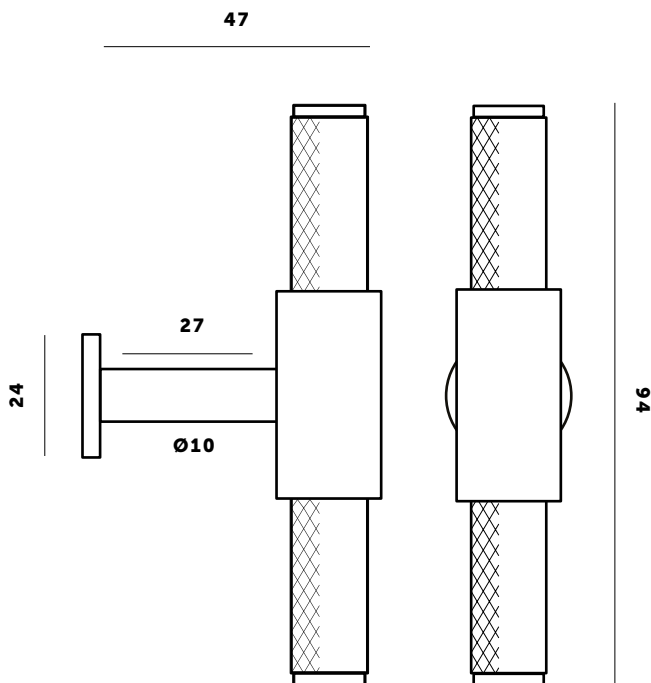
A T-Bar Handle made from solid metal. A solid base with diamond-cut knurled handle detailing, ensuring pleasure with every touch. Works great on cabinet doors, cupboards, kitchen units and just about anything that can open. Available in 4 metal finish combinations using brushed brass, steel, smoked bronze & satin black metal. Available complete with a circular plate and penny buttons or with a small disc.

busterandpunch.com
info@busterandpunch.com

BUSTER + PUNCH

T-BAR HANDLE

TECH SPEC



FINISH	SKU	ALSO INCLUDED:
Steel	UK-TB-H-ST-A	1 x Mounting Disc 1 x M5 x 30 mm screw* 1 x Washer
Brass	UK-TB-H-BR-A	
Smoked Bronze	UK-TB-H-SM-A	
Black	UK-TB-H-BL-A	
		1 pcs 1 pcs 1 pcs
Handle is fitted from behind cabinet door and can not be front face fitted.		

CARE INSTRUCTIONS

Wipe with damp cloth with no loose hairs, avoid using any chemicals. Please note all finishes are prone to aging.

* Fits doors & draws of max 20 mm.